

UPVC Hi-Flow Rate Cartridge Filter Housing

UPVC hi-flow rate cartridge filter housing is a filter system with high precision. It consists of the housing and single cartridge element, mainly used in pretreatment. It can be widely used in electronic industry, sewage treatment, beverage, foods, pure water treatment, also it can acts as home water purification equipment.

The housings are designed to accept different types of cartridges which can be used for the removal of turbidity, precipitated iron, rust, scale, cysts and other micro-level particulates. The patented design filter housing made of durable, corrosion and UV resistant UPVC is suitable for the low pressure applications up to 0.7MPa.

It is manufactured under ISO9001 quality management system, have excellent chemical resistance, will be a popular choice among water filtration professionals for there versatility, size, economy, high flow, simplicity, water saving and wide range of applications.

Features and Advantages:

3-4 Times Longer Service Life than Conventional Cartridges

Easy to Install and Maintain

Low Cost, Lightness , Highly Versatile, Non-corrosive UPVC

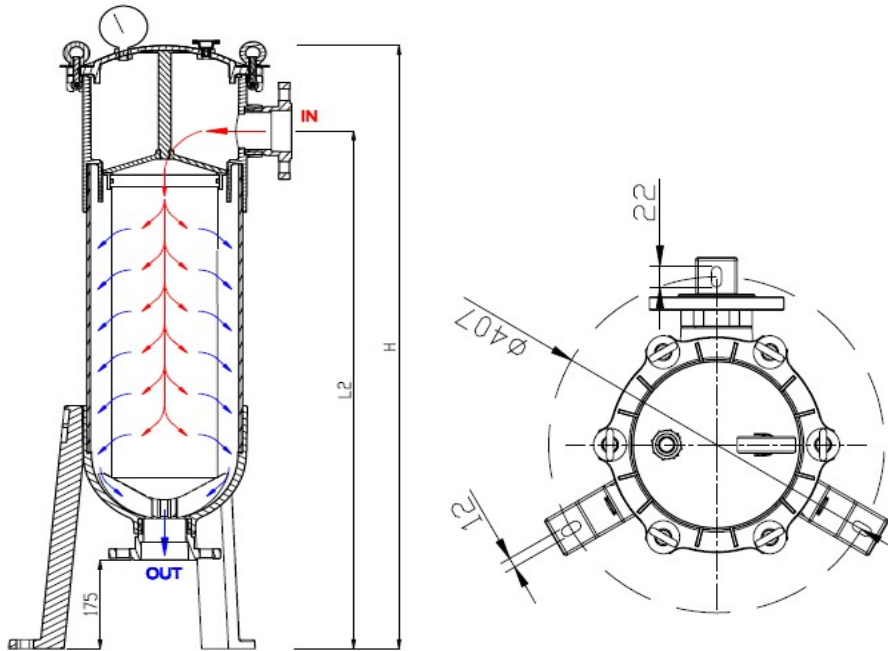
Single Cartridge for Higher Rates and Capacity

Accepts a Wide Range of DOE(double open end) Cartridges

Air Vent and Pressure Gauge in Cap (Pressure Gauge is an option)

0-0.7MPa 100000 Times Recycle Fatigue Test Approval





Model No.	Size(mm)	Element Hight(L1 mm)	L2(mm)	In/Out	Max Pressure
DHCF-20	Φ225xH1070	525	905	FLG:DN50	0.7MPa
DHCF-40	Φ225xH1560	1025	1395	ANSI 2"	

Notes:

- 1. Max Working Temperature: 45°C**
- 2. Reserved Air Vent Hole and Pressure Gauge Threads at G1/4" Size**
- 3. An Adaptor is Required for Pressure Gauge**