

UPVC Cartridge Filter Housing (3/5 elements)

UPVC cartridge filter housing is a filter system with high precision. It consists of the housing and cartridge elements, mainly used in pretreatment. It can be widely used in electronic industry, sewage treatment, beverage, foods, pure water treatment, also it can acts as home water purification equipment.

The housings are designed to accept different types of cartridges which can be used for the removal of turbidity, precipitated iron, rust, scale, cysts and other micro-level particulates. The patented design filter housing made of durable, corrosion and UV resistant UPVC is suitable for the low pressure applications up to 0.6MPa.

It is manufactured under ISO9001 quality management system, have excellent chemical resistance, will be a popular choice among water filtration professionals for there versatility, size, economy, high flow, simplicity, water saving and wide range of applications.

Features and Advantages:

Price Competitive

Easy to Install and Maintain

Highly Versatile

Heavy Duty, Non-corrosive UPVC

Higher Flow Rates and Capacity

Accepts a Wide Range of DOE(double open end) Cartridges

Air Vent and Pressure Gauge in Cap (Pressure Gauge is an option)

0-0.6MPa 100000 Times Recycle Fatigue Test Approval

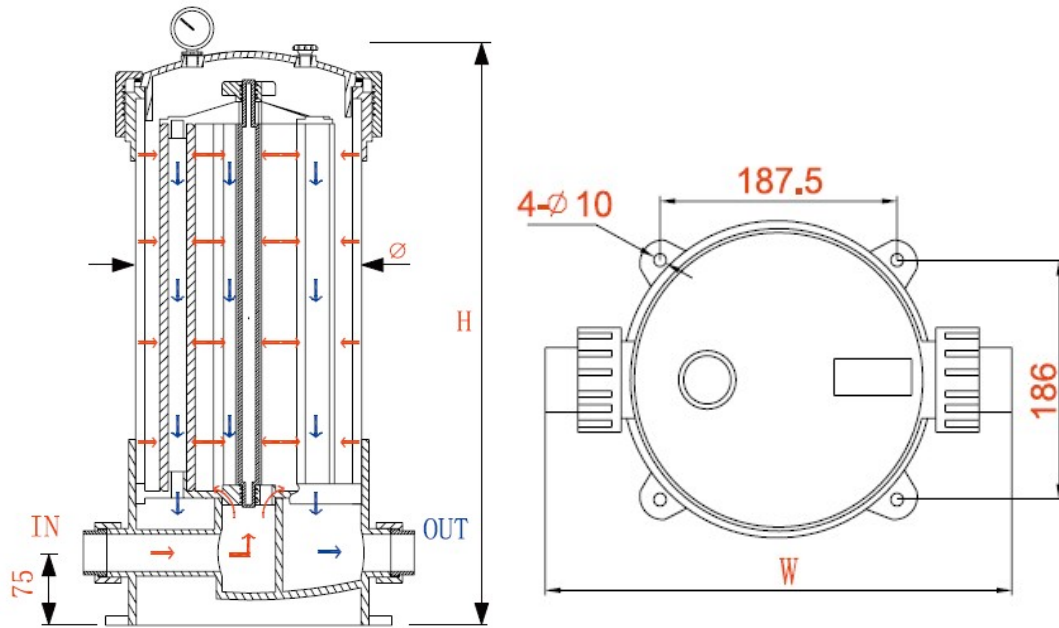


Type A



Type B

Type A is cap sealed, while Type B is bolt sealed



Model No.		Size(mm)	Element Quantity	Cartridge	In/Out	Max Pressure
DHCF-5DC1	DHCF-3DC1	Φ225xH465	5/3	10"	DN40/ANSI	A=0.4MPa
DHCF-5DC2	DHCF-3DC2	Φ225xH715		20"	1.5"	
DHCF-5DC3	DHCF-3DC3	Φ225xH965		30"	DN50/ANSI	B=0.6MPa
DHCF-5DC4	DHCF-3DC4	Φ225xH1215		40"	2"	

Notes:

1. Max Working Temperature: 45°C
2. Reserved Air Vent Hole and Pressure Gauge Threads at G1/4" Size
3. Pressure Gauge Requires an Adaptor
4. Type A Includes Specialty Cap Spanner