

## UPVC Bag Filter Housing

UPVC bag filter housing is a filter system with high precision. It consists of the housing and bag filter, mainly used in pretreatment. It can be widely used in electronic industry, sewage treatment, beverage, foods, pure water treatment, also it can acts as home water purification equipment.

The housings are designed to accept different types of bag filter which can be used for the removal of turbidity, precipitated iron, rust, scale, cysts and other micro-level particulates. The patented design filter housing made of durable, corrosion and UV resistant UPVC is suitable for the low pressure applications up to 0.6MPa.

It is manufactured under ISO9001 quality management system, have excellent chemical resistance, will be a popular choice among water filtration professionals for there versatility, size, economy, high flow, simplicity, water saving and wide range of applications.

### Features and Advantages:

Price Competitive

Easy to Install and Maintain

Highly Versatile

Heavy Duty, Non-corrosive UPVC

Higher Flow Rates and Capacity

Higher Precision up to 0.5-200um

Air Vent and Pressure Gauge in Cap (Pressure Gauge is an option)

0-0.7MPa 100000 Times Recycle Fatigue Test Approval

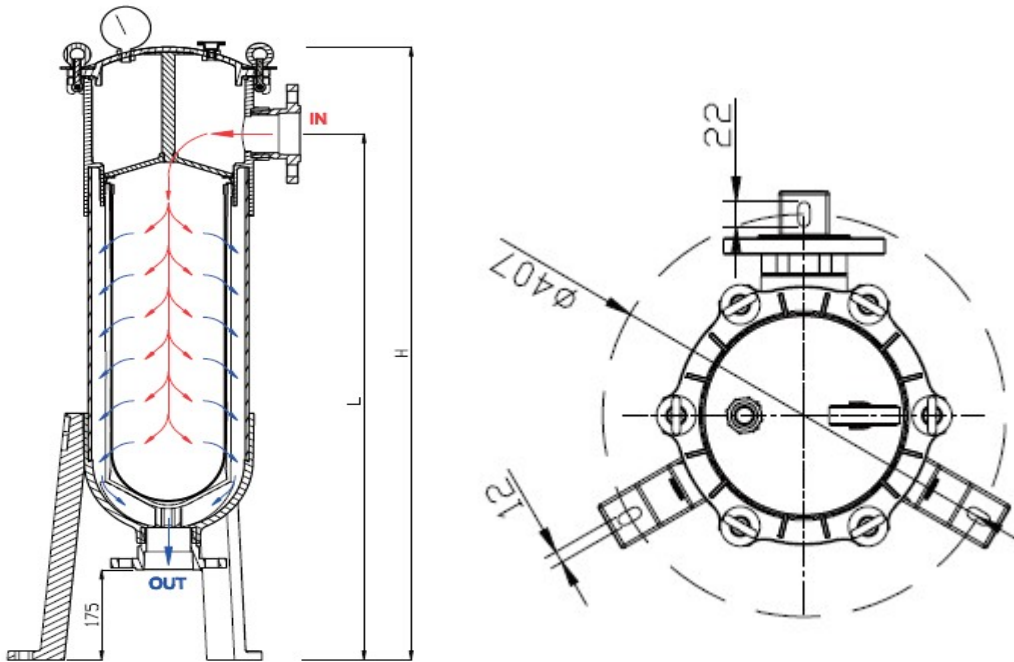


**Type A**



**Type B**

Type A is cap sealed, while Type B is bolt sealed



Model No.	Size(mm)	Bag Size	L	In/Out	Max Pressure
DHCF-BF11A	Φ225Xh805	Φ7(178mm) H17”(419mm)	650	FLG:DN50/ ANSI 2”	A=0.4MPa
DHCF-BF12A	Φ225xH1190	Φ7(178mm) H32”(813mm)	1035		
DHCF-BF11B	Φ225xH820	Φ7(178mm) H17”(419mm)	665		B=0.7MPa
DHCF-BF12B	Φ225xH1200	Φ7(178mm) H32”(813mm)	1045		

**Notes:**

- 1. Max Working Temperature: 45°C**
- 2. Reserved Air Vent Hole and Pressure Gauge Threads at G1/4” Size**
- 3. Pressure Gauge Requires an Adaptor**
- 4. Type A Includes Specialty Cap Spanner**