



Jiangyin Danhao Trading Co.,Ltd.

Add:No.73 Xiaokang Rd,Huaxi,Huashi Town,Jiangyin City,
 Jiangsu Province,China 214400
 Tel:86-510-86971896 Fax: 86-510-86971895
 Email:sales@chinaionexchange.com
 Website:http://chinaionexchange.com

FRP VESSELS

Danhao Trading company supplies a wide range of FRP composite vessel at the size from 6” up to 63”, typically used in the water treatment industry, such as sand filter, carbon filter, multi-media filter, water softer, DI resin tank and so on.

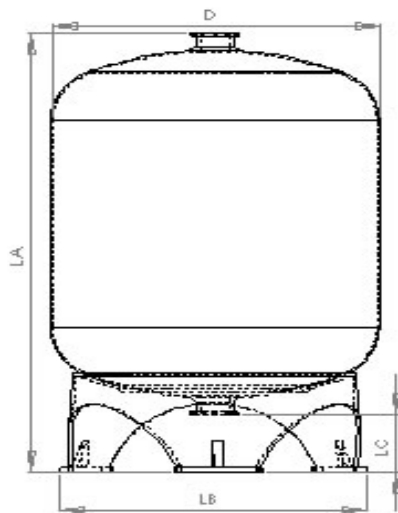
- Material of Construction: FRP with Food Grade LLDPE Inner Shell
FRP with Epoxy Resin Seal Outer Shell
- Color: Natural, Apricot, Blue, Black or Customized
- Opening: Top/Bottom Opening with 2.5”-8NPSM/ 4”-8UN Thread or 6”Flange
- Fatigue Tests: 150000 Cycles without Leakage
- Operating Pressure: 0-150psi(1MPa)
- Max Vacuum: 5”Hg(127mm Hg)
- Operating Temperature: 1-120°F (49°C)
- Certificates: CE, NSF, ISO9001
- Warranty: 5-10 Years

Specification I (Smaller than 18” Diameter)

Size	Spec.		Volume Litre	Opening TOP	Base	LA	LB	LC	D
	Inch	mm				mm	mm	mm	mm
6”Dia.	6X10	155X260	3.4	2.5”NPSM	STD	260	168	-	155
	6X13	155X335	4.2	2.5”NPSM	STD	335	168	-	155
	6X18	155X460	6.5	2.5”NPSM	STD	460	168	-	155
	6X29	155X740	11.5	2.5”NPSM	STD	740	168	-	155
	6X35	155X890	13.5	2.5”NPSM	STD	890	168	-	155
8”Dia.	8X13	207X335	8	2.5”NPSM	STD	335	321	-	206
	8X17	207X438	11.5	2.5”NPSM	STD	435	425	-	190
	8X35	207X890	25	2.5”NPSM	STD	890	870	-	190
	8X44	207X1130	30.2	2.5”NPSM	STD	1131	1117	-	206
10”Dia.	10X35	257X905	34.1	2.5”NPSM	STD	903	889	-	257
	10X44	257X1130	50.1	2.5”NPSM	STD	1130	1116	-	257
	10X54	257X1390	61.9	2.5”NPSM	STD	1390	1376	-	257
12”Dia.	12X48	307X1225	79.6	2.5”NPSM	STD	1233	1223	-	307
	12X52	307X1340	87.1	2.5”NPSM	STD	1342	1330	-	307
	12X65	307X1650	97.2	2.5”NPSM	STD	1650	1640	-	307
14”	14X65	360X1650	138.7	2.5”NPSM	STD	1671	364	-	360
16”	16X65	405X1650	184.7	2.5”NPSM	STD	1671	418	-	405
				4”-8UN	STD	1671	418	-	405
18”	18X65	460X1650	255	4”-8UN	STD	2025	490	-	460

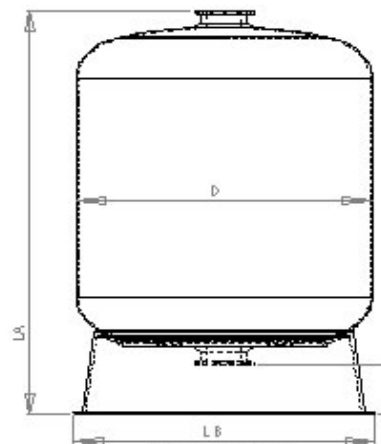
Specification II (Bigger than 18" Diameter)

Size	Spec.		Volume Litre	Opening		Base	LA	LB	LC	D
	Inch	mm		Top	Bottom		mm	mm	mm	mm
21" Dia.	21x36	535x1005	165	4"-8UN	-	STD	1005	518	18	555
	21x53	535x1435	250	4"-8UN	-	STD	1435	518	18	555
	21x62	535x1724	342	4"-8UN	4"-8UN	STD	1724	518	18	555
	21x62	535x2066	332	6"-FLG	-	Tripod	2066	554	396	555
	21x62	535x1784	332	6"-FLG	-	STD	1784	515	20	550
	21x62	535x2130		6"-FLG	6"-FLG	Tripod	2130	554	340	550
24" Dia.	24x72	610x1920	470	4"-8UN	-	STD	1920	596	22	628
	24x72	610x2170		4"-8UN	4"-8UN	Tripod	2170	620	304	625
	24x72	610x1975	490	6"-FLG	-	STD	1975	595	22	620
	24x72	610x2224		6"-FLG	6"-FLG	Tripod	2224	620	245	625
30" Dia.	30x72	760x1838	695	4"-8UN	-	STD	1838	788	25	782
	30x72	760x2140		4"-8UN	4"-8UN	Tripod	2140	774	336	780
	30x72	760x1890	675	6"-FLG	-	STD	1890	788	25	782
	30x72	760x2198		6"-FLG	6"-FLG	Tripod	2198	775	284	782
36" Dia.	36x72	915x1858	1013	4"-8UN	-	STD	1858	938	28	940
	36x72	915x2150		4"-8UN	4"-8UN	Tripod	2150	935	340	940
	36x72	915x1918	975	6"-FLG	-	STD	1918	938	28	935
	36x72	915x2215		6"-FLG	6"-FLG	Tripod	2215	935	238	935
42"	42x72	1065x2364	1490	6"-FLG	6"-FLG	Tripod	2364	1042	290	1088
48"	48x72	1220x2364	1890	6"-FLG	6"-FLG	Tripod	2364	1170	296	1235
63"	63x67	1600x2025	2450	6"-FLG	6"-FLG	Tripod	2025	1562	300	1625
	63x86	1600x2450	3300	6"-FLG	6"-FLG	Tripod	2450	1555	300	1630



三角底座

Tripod



标准底座

STD